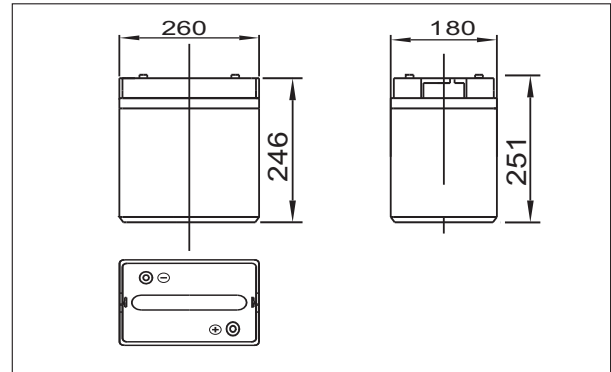


# AA Solar & Marintronics Limited

## C6V286Ah



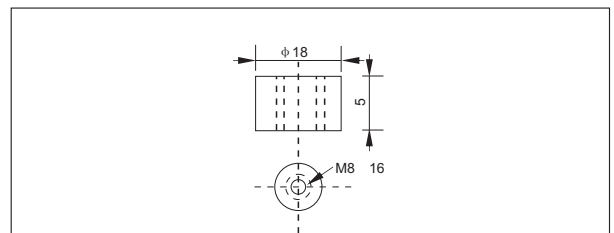
### Outer dimensions (mm)



### Specifications

|                                |                    |                       |
|--------------------------------|--------------------|-----------------------|
| Nominal Voltage                | 6 V                |                       |
| Rated capacity (100 hour rate) | 286 Ah             |                       |
| Dimensions                     | Total Height       | 251 mm (9. 88inches)  |
|                                | Height             | 246 mm (9. 68inches)  |
|                                | Length             | 260mm (10. 23 inches) |
|                                | Width              | 180 mm (7.08 inches)  |
| Weight Approx                  | 28. 5Kg (62.7 lbs) |                       |

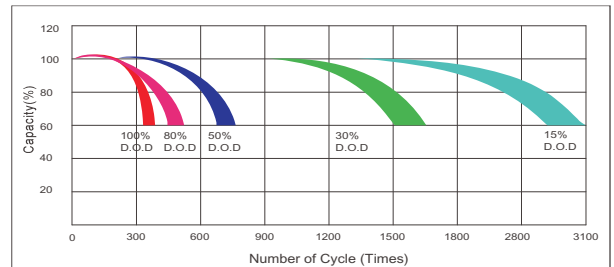
### Terminal Type (mm)



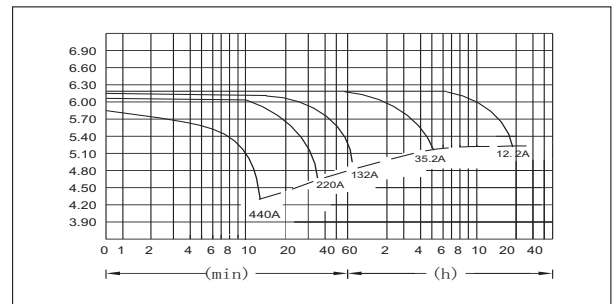
### Characteristics

|  |                                    |   |
|--|------------------------------------|---|
| Capacity<br>25°C(77°F)                         | 100hour rate(2.86A)                | 286AH   |
|  | 10 hour rate(11.0 A)               | 220 AH  |
|  | 5 hour rate(35. 2 A)               | 176 AH  |
|  | 1 hour rate(132A)                  | 132 AH  |
| Internal Resistance                            | Full charged Battery at 25°C(77°F) | 1.8 mΩ  |
| Capacity affected by Temperature (20hour rate) | 40°C(104°F)                        | 102%  |
|  | 25°C(77°F)                         | 100%  |
|  | 0°C(32°F)                          | 85%   |
|  | -15°C(5°F)                         | 65%   |
| Self-Discharge at 25°C(77°F)                   | Capacity after 3 month storage     | 91%   |
|  | Capacity after 6 month storage     | 82%   |
|  | Capacity after 12 month storage    | 64%   |
| Terminal                                       | T19                                |   |
| Charge (constant Voltage)                      | Cycle                              | Initial Charging Current less than 55 A<br>Voltage 7.20-7.40V |
|  | Float                              | Voltage 6.75-6.90V  |

### Cycling Curve 25 °C(77°F)



### Discharge Curves 25°C(77°F)



Constant Current (Amp) and Constant Power(Watt) Discharge Table at 25°C(72°F)

| Time  |   | 10min | 30min | 1h    | 2h    | 3h    | 4h   | 5h   | 8h   | 10h  | 20h  | 24h  | 48h   | 100h  |
|-------|---|-------|-------|-------|-------|-------|------|------|------|------|------|------|-------|-------|
|       |   | 4.80V | A     | 440.0 | 242.0 | 132.0 | 77.0 | 57.2 | 46.2 | 39.2 | 25.5 | 24.2 | 12.5  | 10.6  |
|       | W | 2332  | 1289  | 706   | 412   | 315   | 252  | 210  | 141  | 129  | 69.0 | 58.1 | 30.49 | 16.12 |
| 5.10V | A | 418.0 | 239.8 | 124.1 | 73.5  | 56.1  | 45.1 | 38.3 | 25.0 | 22.8 | 12.3 | 10.4 | 5.52  | 2.88  |
|       | W | 2299  | 1325  | 689   | 408   | 313   | 250  | 209  | 140  | 128  | 68.4 | 57.5 | 30.37 | 16.00 |
| 5.25V | A | 374.0 | 224.4 | 121.0 | 71.7  | 55.0  | 44.0 | 35.2 | 24.8 | 22.4 | 12.2 | 10.2 | 5.50  | 2.88  |
|       | W | 2094  | 1262  | 684   | 405   | 311   | 249  | 199  | 139  | 127  | 67.5 | 56.8 | 30.25 | 16.00 |
| 5.40V | A | 352.0 | 206.8 | 116.6 | 70.0  | 53.9  | 42.9 | 33.4 | 24.1 | 22.0 | 12.0 | 10.1 | 5.48  | 2.86  |
|       | W | 1998  | 2358  | 668   | 401   | 309   | 246  | 191  | 138  | 126  | 67.3 | 56.7 | 30.13 | 15.94 |
| 5.55V | A | 330.0 | 187.0 | 110.0 | 68.2  | 51.7  | 41.8 | 31.9 | 23.5 | 21.5 | 11.9 | 9.9  | 5.41  | 2.86  |
|       | W | 1898  | 1080  | 635   | 394   | 299   | 241  | 184  | 136  | 124  | 66.5 | 55.4 | 29.77 | 15.94 |